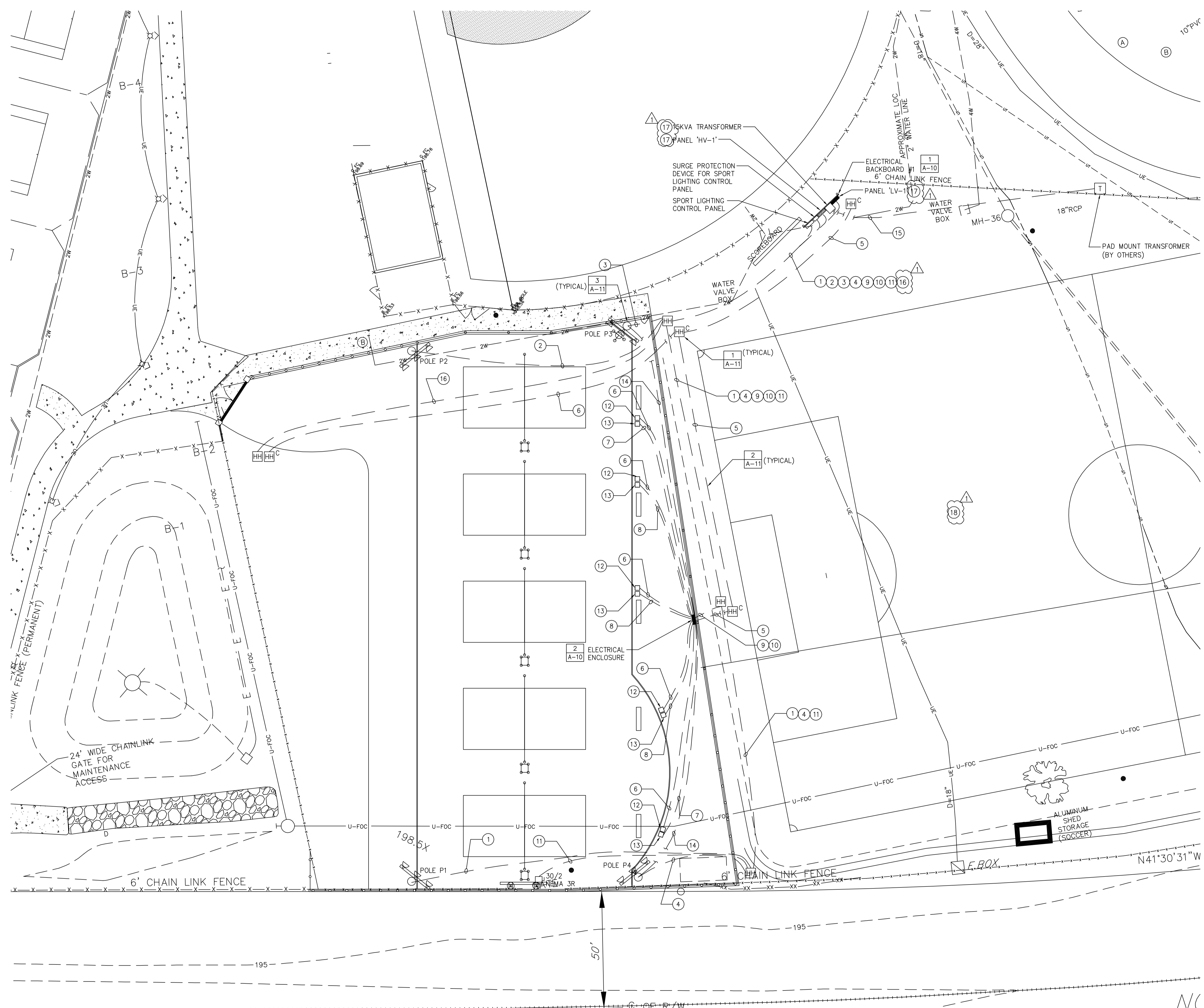


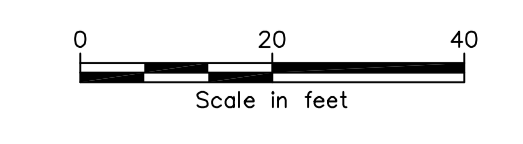
THIS DRAWING IS THE PROPERTY OF CH2M HILL. IT IS TO BE USED ONLY FOR THE PROJECT AND SITE SPECIFICALLY IDENTIFIED HEREIN AND IS NOT TO BE REPRODUCED OR COPIED IN WHOLE OR IN PART. IT IS TO BE USED ONLY FOR THE PROJECT AND SITE SPECIFICALLY IDENTIFIED HEREIN AND IS NOT TO BE REPRODUCED OR COPIED IN WHOLE OR IN PART. IT IS TO BE USED ONLY FOR THE PROJECT AND SITE SPECIFICALLY IDENTIFIED HEREIN AND IS NOT TO BE REPRODUCED OR COPIED IN WHOLE OR IN PART.



- CODED NOTES**
- 1 1" CONDUIT WITH (3)#8 AND (1)#8G FROM SPORT LIGHTING CONTROLLER TO POLE P1.
 - 2 1" CONDUIT WITH (3)#12 AND (1)#12G FROM SPORT LIGHTING CONTROLLER TO POLE P2.
 - 3 1" CONDUIT WITH (3)#12 AND (1)#12G FROM SPORT LIGHTING CONTROLLER TO POLE P3.
 - 4 1" CONDUIT WITH (3)#10 AND (1)#10G FROM SPORT LIGHTING CONTROLLER TO POLE P4.
 - 5 4" CONDUIT WITH PULL WIRE FOR FUTURE DATA WIRING.
 - 6 2" CONDUIT WITH PULL WIRE FOR FUTURE DATA WIRING.
 - 7 1" CONDUIT WITH (2)#8 AND (1)#8G FOR POWER TO RECEPTACLE IN COMBOX.
 - 8 1" CONDUIT WITH (2)#10 AND (1)#10G FOR POWER TO RECEPTACLE IN COMBOX.
 - 9 1 1/4" CONDUIT WITH (4)#8, (4)#10 AND (1)#8G FOR POWER TO RECEPTACLES FROM PANEL LV-1.
 - 10 1" CONDUIT WITH (6)#10 AND (1)#10G FOR POWER TO RECEPTACLES FROM PANEL LV-1.
 - 11 1" CONDUIT WITH (2)#8 AND (1)#8G FOR POWER TO SCOREBOARD FROM PANEL LV-1.
 - 12 COMBOX FOR DATA, MOUNT EMPTY 4" SQUARE WEATHERPROOF J-BOX TO SIDE OF COMBOX.
 - 13 COMBOX FOR POWER, MOUNT WEATHERPROOF RECEPTACLE TO SIDE OF COMBOX.
 - 14 1" CONDUIT WITH #12 UNSHIELDED STRANDED PAIR SPEAKER WIRE FROM SPEAKER ON SPORT POLE TO SPEAKER CONNECTION BOX AT ELECTRICAL ENCLOSURE.
 - 15 SEE ONE LINE DIAGRAM FOR CONDUIT SIZE AND FILL.
 - 16 (2) 1" CONDUIT WITH PULL WIRE FOR FUTURE POWER WIRING TO TIKI HUT.
 - 17 FURNISHED BY USC INSTALLED BY CONTRACTOR.
 - 18 6 SPORT LIGHTING POLES ARE TO BE INSTALLED TO LIGHT THE SOCCER FIELD. PROVIDE CONNECTION FROM UNDERGROUND FEEDERS TO WIRING WITHIN THE POLES. EXTEND EXISTING WIRING IN POLES AS REQUIRED. SEE DRAWING E1 FOR POLE LOCATIONS. ONCE POLES ARE INSTALLED REAM ALL FIXTURES TO PROVIDE UNIFORM LIGHTING ACROSS ENTIRE SOCCER FIELD.

- GENERAL NOTES**
- 1 SCOREBOARDS ARE PROVIDED AS AN ADD ALTERNATE. CONDUIT, WIRING, CIRCUIT BREAKERS, DISCONNECTS ETC. SHALL BE PROVIDED AS PART OF BASE BID.

ELECTRICAL SITE PLAN-VOLLEYBALL
1:20



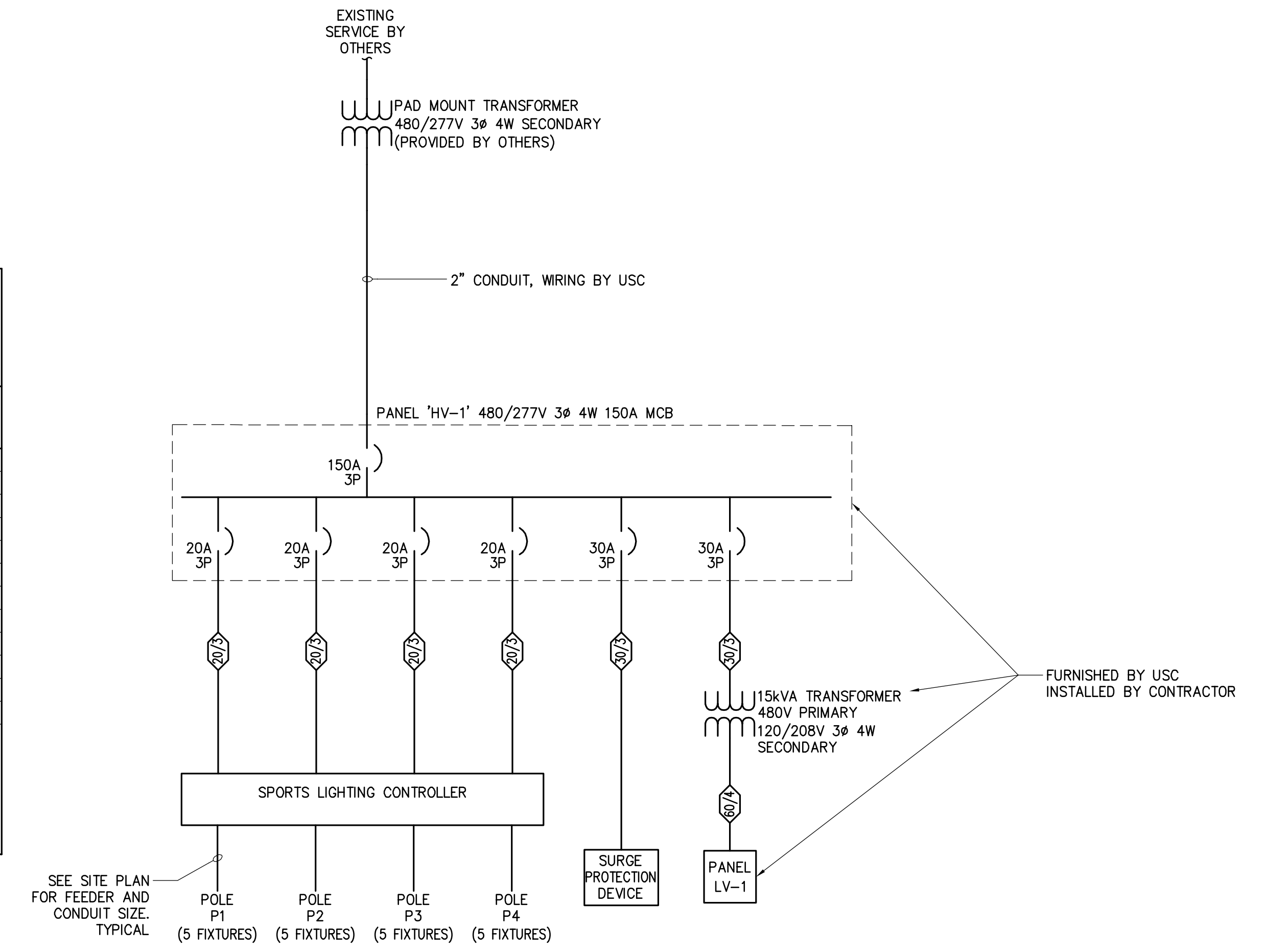
BID DOCUMENTS
 THESE DOCUMENTS ARE FOR THE
 PURPOSE OF SOLICITATION OF BIDS
 AND ARE NOT FOR USE FOR
 CONSTRUCTION

<p>CONSTRUCTION DRAWINGS FOR ATHLETIC VILLAGE SAND VOLLEYBALL COURT CONSTRUCTION IN THE CITY OF COLUMBIA RICHLAND COUNTY, S.C.</p>	<p>SHEET TITLE ELECTRICAL SITE PLAN-VOLLEYBALL</p> <p>DATE: MAY 24, 2013 SCALE: AS SHOWN</p>										
<p>DWG NAME N.B. NO. REF. PROJECT NO. FILE NO. 36,106-B90</p>	<p>SHEET A9 OF 11</p>										
<p>APPROVALS</p> <table style="width: 100%; border: none;"> <tr> <td style="border: none;">PROJECT ENG</td> <td style="border: none;">DESIGNED BY</td> <td style="border: none;">DRAWN BY</td> <td style="border: none;">CHECKED BY</td> <td style="border: none;">APPROVED BY</td> </tr> <tr> <td style="border: none;">[Signature]</td> <td style="border: none;">JJD</td> <td style="border: none;">YK</td> <td style="border: none;">[Signature]</td> <td style="border: none;">DLB</td> </tr> </table>		PROJECT ENG	DESIGNED BY	DRAWN BY	CHECKED BY	APPROVED BY	[Signature]	JJD	YK	[Signature]	DLB
PROJECT ENG	DESIGNED BY	DRAWN BY	CHECKED BY	APPROVED BY							
[Signature]	JJD	YK	[Signature]	DLB							
<p>REVISIONS</p> <table border="1" style="width: 100%; border-collapse: collapse;"> <thead> <tr> <th>NO.</th> <th>DESCRIPTION</th> <th>DATE</th> <th>BY</th> <th>APPENDIX #</th> </tr> </thead> <tbody> <tr> <td> </td> <td> </td> <td>05.24.13</td> <td>JJD</td> <td> </td> </tr> </tbody> </table>		NO.	DESCRIPTION	DATE	BY	APPENDIX #			05.24.13	JJD	
NO.	DESCRIPTION	DATE	BY	APPENDIX #							
		05.24.13	JJD								
<p>CH2M HILL</p> <p>1298 Professional Drive Myrtle Beach, SC 29577-5886 Mem: (843) 862-3205 www.ch2m.com</p>											

LIGHTING FIXTURE SCHEDULE								
SYMBOL	TAG	DESCRIPTION	MOUNTING	LAMP(S)	BALLAST(S) [INPUT WATTS]	VOLTS	MANUFACTURER & CATALOG NUMBER	COMMENTS
	P1-P4	SPORT LIGHTING	POLE 60'-0"	(5) METAL HALIDE	1500W	480	MUSCO-GENERATION GREEN BASIS OF DESIGN	

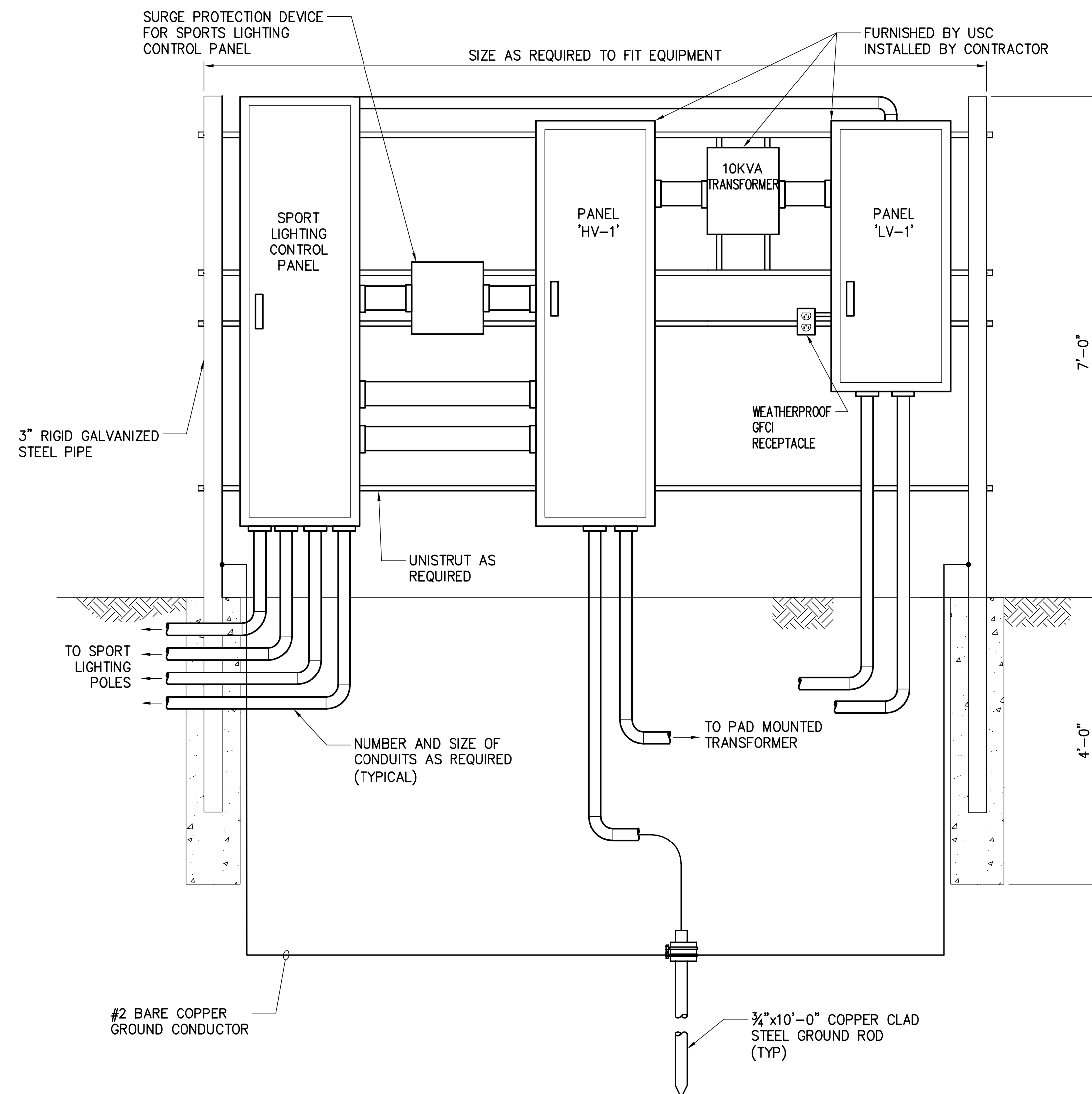
LOCATION: BACKBOARD		MOUNTING: SURFACE		SOURCE: UTILITY		PANEL ID: HV-1		VOLTS, PHASE, WIRE: 480/277V 3Ø 4W		MAINS: 150A MCB, 250A FRAME		SHORT CIRCUIT RATING: 65 KAIC	
CKT	LOAD DESCRIPTION	CB AMPS/ POLE	CONN LOAD KVA	CB AMPS/ POLE	CONN LOAD KVA	LOAD DESCRIPTION	CKT	CB AMPS/ POLE	CONN LOAD KVA	LOAD DESCRIPTION	CKT	CB AMPS/ POLE	CONN LOAD KVA
1							2				3		
3	SPORT LIGHTING POLE P1	20/3	11.3	11.3	20/3	SPORT LIGHTING POLE P2	4				5		
5							6				7		
9	SPORT LIGHTING POLE P3	20/3	11.3	11.3	20/3	SPORT LIGHTING POLE P4	10				11		
13							12				13		
15	SURGE PROTECTION	30/3		15	30/3	PANEL LV-1	14				15		
17							16				17		
19							18				19		
21							20				21		
23							22				23		
25							24				25		
27							26				27		
29							28				29		
31							30				31		
							32						
NOTES: NEMA 3R SERVICE RATED FURNISHED BY USC INSTALLED BY CONTRACTOR		22.60	37.60	TOTAL KVA		60.20	TOTAL KVA		2.18	1.62	TOTAL KVA		3.80

LOCATION: BACKBOARD		MOUNTING: SURFACE		SOURCE: UTILITY		PANEL ID: LV-1		VOLTS, PHASE, WIRE: 208/120V 3Ø 4W		MAINS: 60A MCB, 100A FRAME		SHORT CIRCUIT RATING: 65 KAIC	
CKT	LOAD DESCRIPTION	CB AMPS/ POLE	CONN LOAD KVA	CB AMPS/ POLE	CONN LOAD KVA	LOAD DESCRIPTION	CKT	CB AMPS/ POLE	CONN LOAD KVA	LOAD DESCRIPTION	CKT	CB AMPS/ POLE	CONN LOAD KVA
1							2				3		
3	SCOREBOARD	20/2	1.9	20/2		AERATOR	4				5		
5	SPORT LIGHTING CONTROL CIRCUIT	20/1	.1	.18	20/1	RECEPTACLE IN COMBOX*	6				7		
7	RECEPTACLE AT BACKBOARD #1	20/1	.18	.18	20/1	RECEPTACLE IN COMBOX*	8				9		
9						RECEPTACLE IN COMBOX*	10				11		
11						RECEPTACLE IN COMBOX*	12				13		
13						RECEPTACLE IN COMBOX*	14				15		
15						RECEPTACLE IN COMBOX*	16				17		
17						DOUBLE DUPLEX RECEPTACLE AT ELECTRICAL ENCLOSURE	18				19		
19						DOUBLE DUPLEX RECEPTACLE AT ELECTRICAL ENCLOSURE	20				21		
21							22				23		
23							24						
NOTES: NEMA 3R F-GFCI CIRCUIT BREAKER FURNISHED BY USC INSTALLED BY CONTRACTOR		2.18	1.62	TOTAL KVA		3.80	TOTAL KVA				TOTAL KVA		

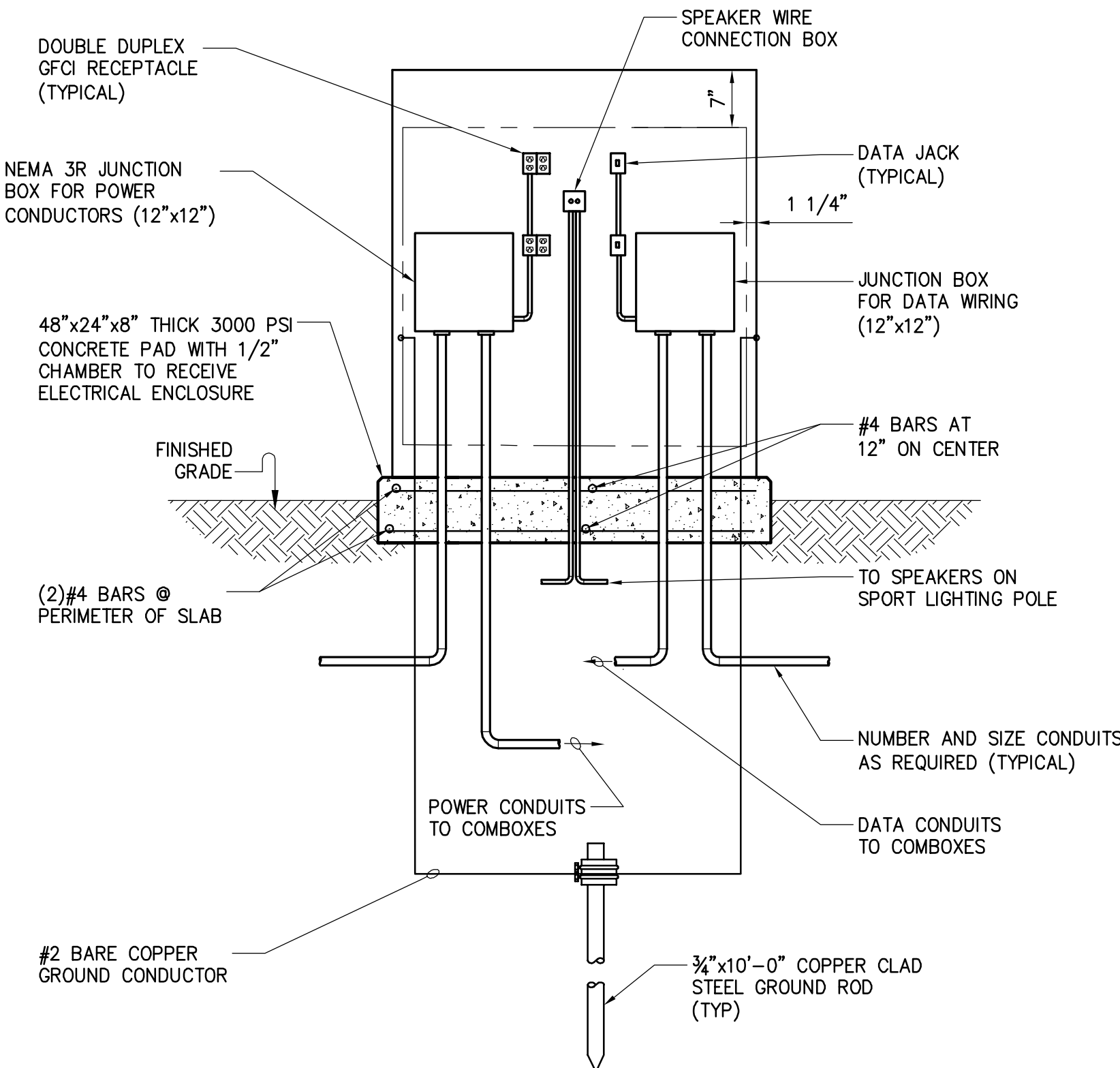


ONE LINE DIAGRAM
NOT TO SCALE

FEEDER SCHEDULE		
FDR. No.	DESCRIPTION	NOTES
20/3	(3)#12, (1)#12G IN 3/4" C	
30/3	(2)#10, (1)#10G IN 3/4" C	
30/3	(3)#10, (1)#10G IN 3/4" C	
60/3	(3)#4, (1)#10G IN 1 1/2" C	



1 ELECTRICAL BACKBOARD #1 DETAIL
A10 NOT TO SCALE



2 ELECTRICAL ENCLOSURE DETAIL
A10 NOT TO SCALE

- NOTES
- NEMA 3R, DOUBLE DOOR, LOCKING ENCLOSURE, 48" HIGH, 36" WIDE AND 15" DEEP. APX. TECHNOLOGIES INC CATALOG NUMBER TCDD483615 OR APPROVED EQUAL.
 - ALL EXPOSED EQUIPMENT SHALL BE GROUNDED
 - SEE SITE PLAN FOR CONDUIT ROUTING.

NO.	DATE	BY	DESCRIPTION
1	05.24.13	JJD	
2			
3			
4			
5			
6			
7			
8			
9			
10			
11			
12			
13			
14			
15			
16			
17			
18			
19			
20			
21			
22			
23			
24			
25			
26			
27			
28			
29			
30			
31			
32			
33			
34			
35			
36			
37			
38			
39			
40			
41			
42			
43			
44			
45			
46			
47			
48			
49			
50			

APPROVALS	PROJECT ENG	DESIGNED BY	DRAWN BY	CHECKED BY	APPROVED BY
		JJD	JJD	YK	D.L.B.

DATE	5.6.13
------	--------

CHIA

1298 Professional Drive - Myrtle Beach, SC 29577-5886
Main: (843) 662-3205 - www.chiacompanies.com

ELECTRICAL ONE LINE DIAGRAM, SCHEDULES AND DETAILS - VOLLEYBALL

DATE: MAY 24, 2013 SCALE: AS SHOWN

CONSTRUCTION DRAWINGS FOR ATHLETIC VILLAGE SAND VOLLEYBALL COURT CONSTRUCTION

IN THE CITY OF COLUMBIA RICHLAND COUNTY, S.C.

DWG. NAME	SHEET
N.B. NO.	A10
REF.	OF
PROJECT NO.	11
46422848	
FILE NO. 36.106-B90	

BID DOCUMENTS
THESE DOCUMENTS ARE FOR THE PURPOSE OF SOLICITATION OF BIDS AND ARE NOT FOR USE FOR CONSTRUCTION